

# DATA SHEET

## **GH025A(M)**

CCFL Backlight Inverter

Product No. HD-10-034R1.1



Rev 1.0

April 15, 2005

The information given in this document is carefully checked and believed to be reliable. However, Distec takes no response for any failure or product damage caused by the application of this information. Please check all connections carefully with the data sheet. Distec products are not intended for use in systems in which failures of product could result in personal injury. All mentioned trademarks are registered trademarks of their owner.

All specifications are subject to change without notification.

1. APPLICATION

This Document Specified The Detailed Product Requirements of Inverter GH025A

2. SUITABLE LOAD

LCD MODULE : 7" ~15" 1 LAMP TFT LCD

3. ELECTRICAL CHARACTERISTICS

3-1. Absolute Maximum Ratings

ITEM	SYMBOL	SPEC	UNIT	REMARKS
INPUT VOLTAGE1	Vin1	10.8~13.2	V	
INPUT VOLTAGE2	Vin2	4.9~5.1	V	
OPERATING TEMPERATURE	Top	0~50	℃	
STORAGE TEMPERATURE	Tstg	-30~80	℃	
RELATIVE HUMIDITY	RH	80	%	

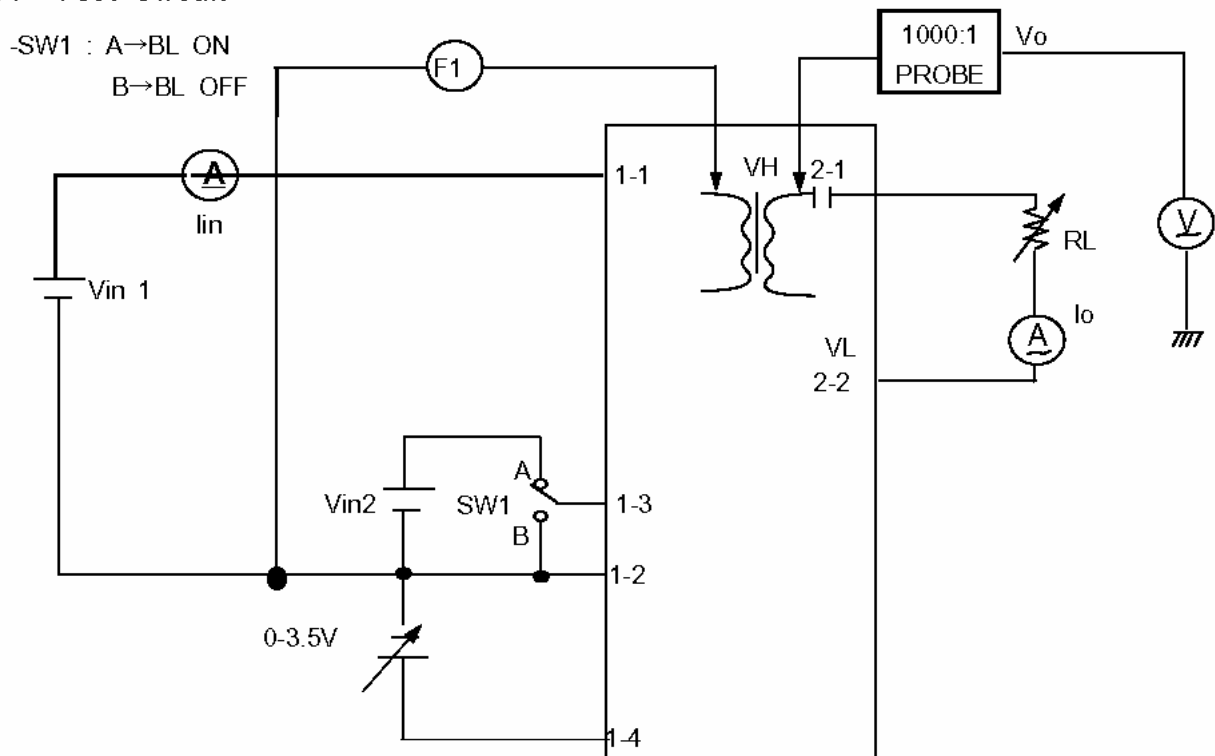
3-2. Control Signal

PIN NO.	SYMBOL	STATUS	ACTION	REMARKS
CN1 #3	BKLT_ON	HIGH	LAMP(CCFL)-ON	2.4~5.25V
		LOW	LAMP(CCFL)-OFF	0.8V MAX

### 3-3. Output Characteristics

ITEM	SYMBOL	CONDITION			SPECIFICATION			UNIT
		Vin1(V) (DC-IN)	BRT- ADJ	RL(kΩ)	MIN	TYP	MAX	
OUTPUT CURRENT	Io(max)	12	0V	80±0.5	5.4	6.1	<b>6.5</b>	mArms
	Io(min)	12	3.5V	80±0.5	2.3	3.0	3.7	
INPUT CURRENT	Iin	12	0V	80±0.5	0.3	0.5	0.7	ADC
FREQUENCY	F	12	0V	80±0.5	44	51	58	KHz
OPEN OUTPUT VOLTAGE	Vo	12	0V	∞	1.2	-	1.9	kVrms

### 3.4 Test Circuit



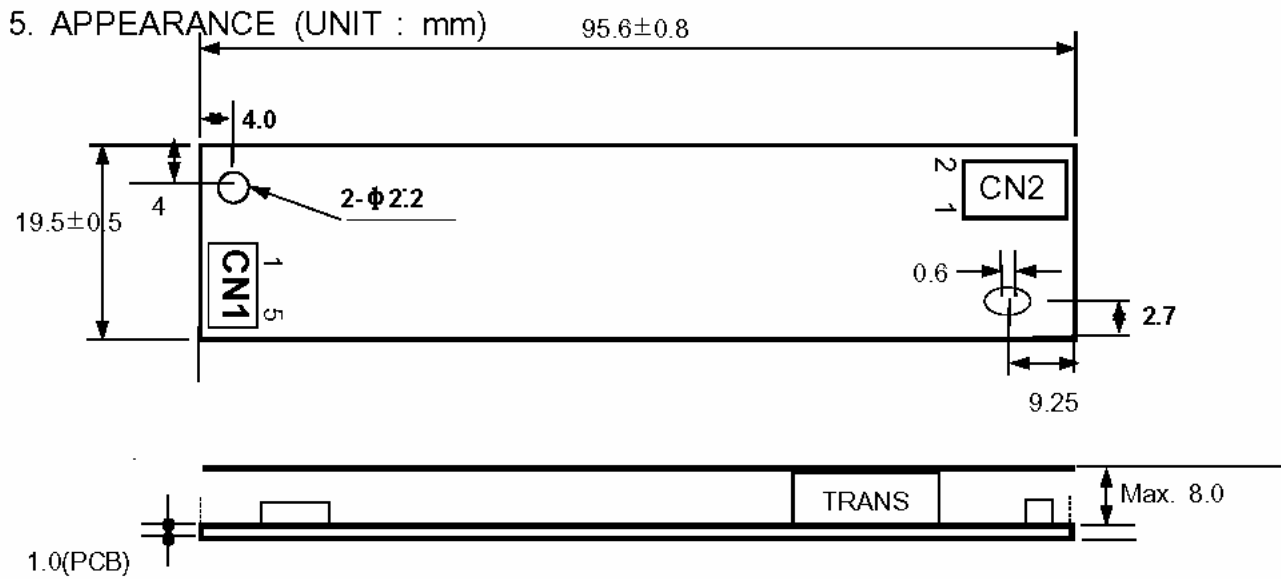
#### 4. INTERFACE

4.1 CN1 CONNECTOR :12505WR-05A00(P)(YEONHO) or equivalent

PIN NO	SYMBOL	REMARK
1	DC-IN(Vin)	DC INPUT Power (12V)
2	GND	GND
3	BL ON/OFF	CCFL Drive SIGNAL(Active HIGH)
4	BRT_ADJ	0 ~ 3.5V
5	N.C	

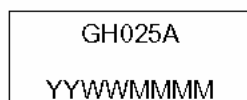
4.2 CN2 CONNECTOR : 35001WR-02A00(P)(YEONHO) or Equivalent

PIN NO.	SYMBOL	REMARK
1	HOT	HIGH
2	COLD	LOW



## 6. NOTATION OF LOT NUMBER

MARKING : BOTTOM OF PCB.



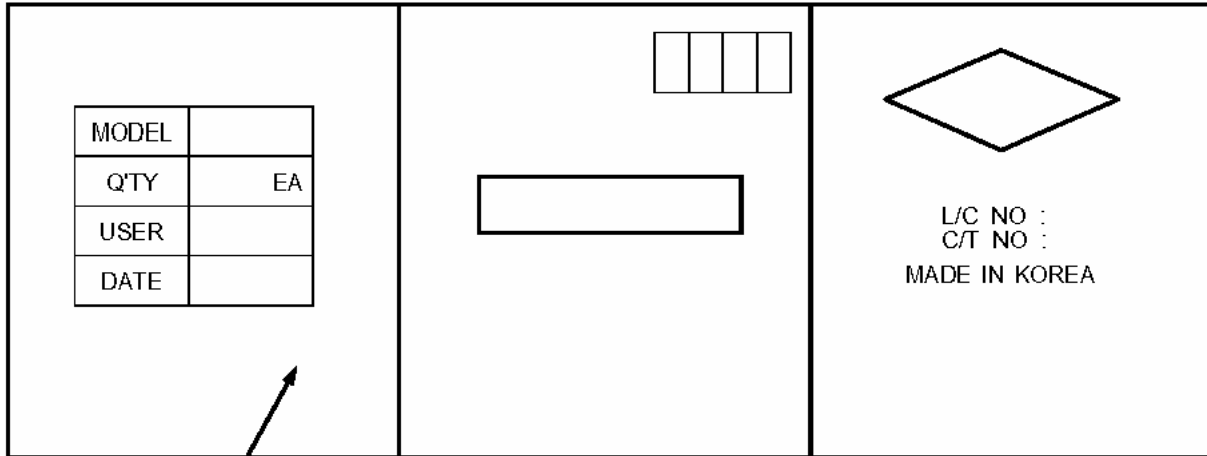
GH025A : MODEL NAME  
 YY : YEAR OF PRODUCT 00,'01.....,98,99  
 WW : WEEK OF PRODUCT 01,02,03,04,...53  
 MMMM : SERIAL NUMBER 0001,0002.....9998,9999

**11. RELIABILITY TEST SPEC**

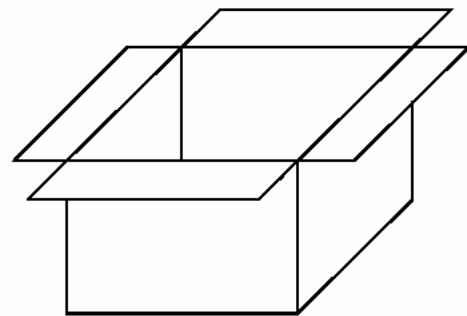
NO.	ITEM	CONDITIONS AND METHOD
1	High Temperature Storage Test	Temp : 70℃ Duration 500hrs
2	Low Temperature Storage Test	Temp : -30℃ Duration 500hrs
3	High Temperature High Humidity Storage	Temp : 40℃ Humid 95%RH Duration 500hrs
4	High Temperature High Humidity Operation test	Temp : 40℃ Humid 95%RH Duration 1000hrs
5	Thermal Shock Test	Temp -30℃ ↔ 70℃,250cycle (30min) (30min)
6	Vibration test	Amplitude :1.5mm Frequency :10~55Hz Position : three perpendicular planes Duration 1000hrs
7	High Temperature Operation test	Temp : 50℃ Duration 72hrs
8	Low Temperature Operation test	Temp : 0℃ Duration 72hrs

12. PACKING

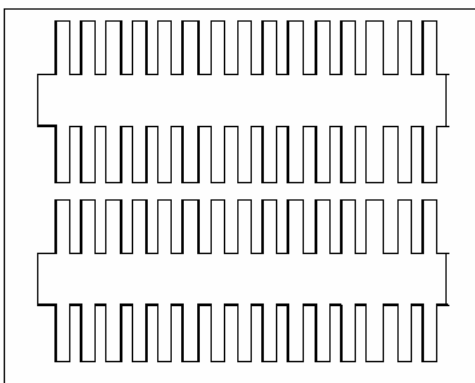
12.1 BOX



MODEL	GH025A
Q, TY	000 EA
USER	
DATE	00.00.00



12.2 TRAY



1 TRAY : 30EA  
 1 BOX : 10 TRAY (300EA)

Our company network supports you worldwide with offices in Germany, Turkey, Great Britain and the USA. For more information please contact:



**Distec GmbH**

Augsburger Str. 2  
82110 Germering  
Germany  
Phone: +49 (0)89 / 89 43 63-0  
Fax: +49 (0)89 / 89 43 63-131  
E-Mail: [info@distec.de](mailto:info@distec.de)  
Internet: [www.distec.de](http://www.distec.de)



DATA DISPLAY TEKNOLOJİ

**Data Display Teknoloji Elektronik San Ve Diş Tic A.Ş.**

Kustepe Leylak Sok.  
Nursanlar Is Merkezi  
Kat. 6 No: 21  
Sisli / Istanbul  
Turkey  
Phone: +90 (0)212 / 356 04 20  
Fax: +90 (0)212 / 356 04 25  
E-Mail: [info@datadisplay.com.tr](mailto:info@datadisplay.com.tr)  
Internet: [www.datadisplay.com.tr](http://www.datadisplay.com.tr)



DISPLAY TECHNOLOGY

**Display Technology Ltd.**

A2 Spectrum Business Centre  
Anthonys Way, Medway City Estate  
Rochester, Kent, ME2 4NP  
United Kingdom  
Phone: + 44 (0)1634 / 29 55 55  
Fax: + 44 (0)1634 / 29 55 43  
E-Mail: [info@displaytechnology.co.uk](mailto:info@displaytechnology.co.uk)  
Internet: [www.displaytechnology.co.uk](http://www.displaytechnology.co.uk)



**Apollo Display Technologies, Corp.**

85 Remington Blvd.  
Ronkonkoma, NY 11779  
United States of America  
Phone: +1 631 / 580-43 60  
Fax: +1 631 / 580-43 70  
E-Mail: [info@apollodisplays.com](mailto:info@apollodisplays.com)  
Internet: [www.apollodisplays.com](http://www.apollodisplays.com)

---